

# CB6330 | Bullet 3MP Motorized Outdoor IR Camera

www.zavio.com

**ZAVIO**  
Innovating IP since 2006



- 1/2.8" 3MP CMOS sensor
- Motorized 2.8-12mm, F1.6, P-iris
- Smart Focus
- Smart Codec + H.265
- 3MP @ 30fps
- WDR 120dB
- 50m Smart IR range
- Corridor mode, Defog, ROI
- Operating conditions -30~ 60°C
- MicroSD/SDHC/SDXC card slot up to 128GB
- Two way audio (full duplex)
- 2 alarm in / 1 alarm out
- 12V DC & PoE (802.3af)
- IP67
- ONVIF 2.4 & Profile S

ZAVIO Motorized Bullet Series are full featured and affordable outdoor camera - with H.265 compression, Multi-exposure WDR, 50meters Smart IR range, edge storage and weatherproof housing - fitting the bill for almost any applications.

Designed for efficient installation, ZAVIO Bullet series have 3 axis angle adjustment and Smart Focus. Additional feature includes Corridor Mode and ROI (Region Of Interest). All of which enables users to easily adjust the view and focus of the camera, allowing a better use of the bandwidth and storage requirements.

To benefit from the camera's maximum potential, please use with ZAVIO NVRs and Management Software Z+. They provide seamless integration with ZAVIO IP cameras, featuring embedded camera settings and batch maintenance. Download ZAVIOR mobile APP to get instant access to your devices and manage them anytime anywhere.

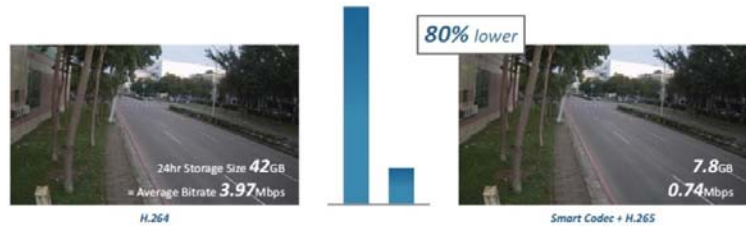
## Optional accessories

**Model name:** AZ-M01  
**Category:** Junction box  
**Dimensions:**  $\phi$ 119 x 39mm

## Features

### Smart Codec + H.265

ZAVIO Smart Codec + H.265 reduces bandwidth and storage requirements by a stunning 80% compared to standard H.264 camera.



WDR off



WDR on

### WDR

Cameras with WDR will take multiple exposures of the full scene and merge them together to provide an image that extends further than the human eye can perceive.

### Smart IR

Smart IR automatically adjusts brightness of the IR illuminators to the scene content, effectively avoiding overexposure of objects that are too close to the camera.



Conventional



P-iris

### P-iris

P-iris allows objects at different distances from the camera to be focused simultaneously - providing images with better contrast, clarity, resolution and depth of field.

### ROI (Region Of Interest)

Defining a Region Of Interest will allow you to spend less bandwidth in areas that are less important while relocating resolution on the most relevant areas.



## Technical Specifications

### Camera

<b>Camera Type</b>	3MP Motorized Outdoor IR Bullet
<b>Image sensor</b>	1/2.8" CMOS sensor
<b>Lens</b>	Motorized 2.8-12mm, F1.6, P-iris
<b>Horizontal view angle</b>	96° - 35°
<b>IR working distance</b>	50m Smart IR effective range
<b>Minimum illumination</b>	0.01 lux @ F1.6 (color)
	0.001 lux @ F1.6 (B/W)
<b>WDR</b>	120dB
<b>Day/Night function</b>	Mechanical IR cut filter, Light sensor

### Video & Audio

<b>Resolutions</b>	Motion JPEG/H.264/H.265: 2 Profile from 2058 x 1536 to 320 x 240 (total 6 resolutions) 2 Profile from 640 x 480 to 320 x 240 (total 3 resolutions)
<b>Video compression</b>	Motion JPEG H.264 baseline/ main profile/high profile H.265
<b>Frame rate</b>	H.265/H.264: up to 30 fps at 2058 x 1536 Motion JPEG : up to 15 fps at 2058 x 1536
<b>Video streaming</b>	Simultaneous Motion JPEG, H.264, H.265 Controllable frame rate and bandwidth Support unicast and multicast (RTSP)
<b>Image settings</b>	Rotation: mirror, flip, mirror flip, corridor mode Brightness, contrast, saturation, sharpness Overlay capabilities: time, date, text and privacy Image ROI 3D DNR Defog
<b>Audio support</b>	Two-way (full duplex)
<b>Audio compression</b>	G.711 u law, a law, G.726, AMR

### I/O & Connector

<b>Ethernet</b>	RJ-45 Ethernet 10/100 Base -T
<b>Power Supply</b>	DC Jack, 12V DC, 1A Power consumption: Max 14W PoE(Power over Ethernet) built-in IEEE 802.3af
<b>Alarm I/O</b>	2/1
<b>Audio connector</b>	line in & line out
<b>Analog video output</b>	v
<b>RS-485</b>	v
<b>Edge storage</b>	MicroSD/SDHC/SDXC card slot up to 128GB
<b>Buttons</b>	Reset push button

### Alarm & Event

<b>Event type</b>	Alarm input, motion detection, audio detection, periodical, network link down, tampering, tripwire, people density, perimeter.
<b>Alarm action</b>	Network storage, edge storage, FTP, SMTP, HTTP event, HTTPS, alarm out pre and post event image.

### Network

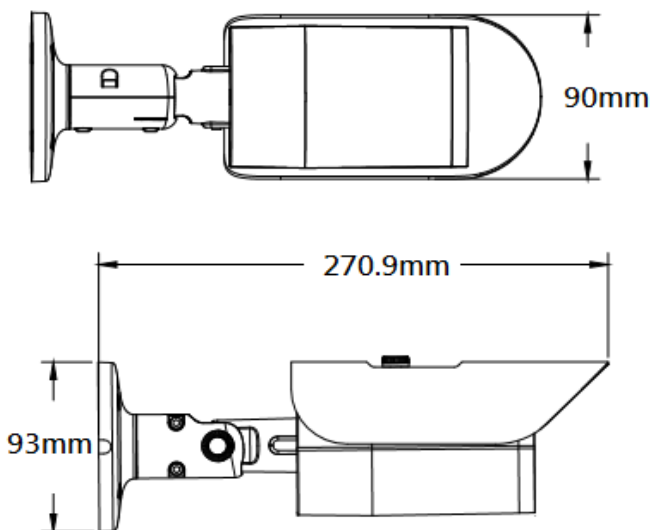
<b>Stream</b>	10 simultaneous connection
<b>Security</b>	Multiple user access levels with password protection, HTTPS encryption
<b>Supported protocols</b>	IPv4, IPv6, Bonjour, TCP/ IP, DHCP, DNS, DynDNS, PPPoE, ICMP, FTP, SMTP, NTP, UPnP, RTSP, RTP, RTCP, HTTP, HTTPS, SSL, TCP, UDP
<b>ONVIF</b>	2.4 & Profile S

### General

<b>Housing</b>	Aluminum Alloy
<b>Ingress Protection</b>	IP67 rated weatherproof housing
<b>Operating conditions</b>	Starting temperature: -10 ~ 60°C Humidity 10-100% RH Working temperature: -30~ 60°C Humidity 10-100% RH
<b>Dimensions</b>	φ93 x 270.9mm
<b>Weight</b>	750g excl. power supply
<b>Included accessories</b>	Quick installation guide, mounting and connector kit.
<b>Optional accessories</b>	AZ-M01
<b>Certification</b>	CE, FCC, RoHS
<b>Language</b>	Chinese, Croatian, Czech, Danish, Dutch, English, French, German, Greek, Hungarian, Italian, Japanese, Korean, Polish, Polish, Portuguese, Russian, Slovak, Spanish, Swedish, Turkish

### System Requirements

<b>Operating system</b>	Windows XP / 7 / 8 / 8.1, MAC OS, Linux
<b>Browser</b>	Internet Explorer 9 / 10 / 11, Chrome, Firefox, Safari



ZAVIO Inc. | 2F., No.24-2, Gongye E. 4th Rd., East Dist., Hsinchu City 300, Taiwan  
www.zavio.com | TEL: 886-3-579-0275 | FAX: 886-3-668-6845 | E-Mail: sales@zavio.com