

ZAVIG



» **B5010/ B5111/ B5210 Quick Installation Guide**

Zavio B5010/ B5111/ B5210 Quick Installation Guide

Please follow the installation steps below to set up your B5010/ B5111/ B5210 Bullet IP Camera.

Check the package contents against the list below. *See P.1*

Physical overview. *See P.2*

LED Indicator Definition. *See P.2*

Install the hardware and connect all cables. *See P.3*

Microsoft OS: Use the software CD to install Intelligent IP Installer. *See P.4*

Access the IP Camera using Intelligent IP Installer. *See P.4*

Mac OS using Safari Browser. *See P.6*

Lighting environment setting. *See P.7*

Change the Web Interface into your preferred language. *See P.7*

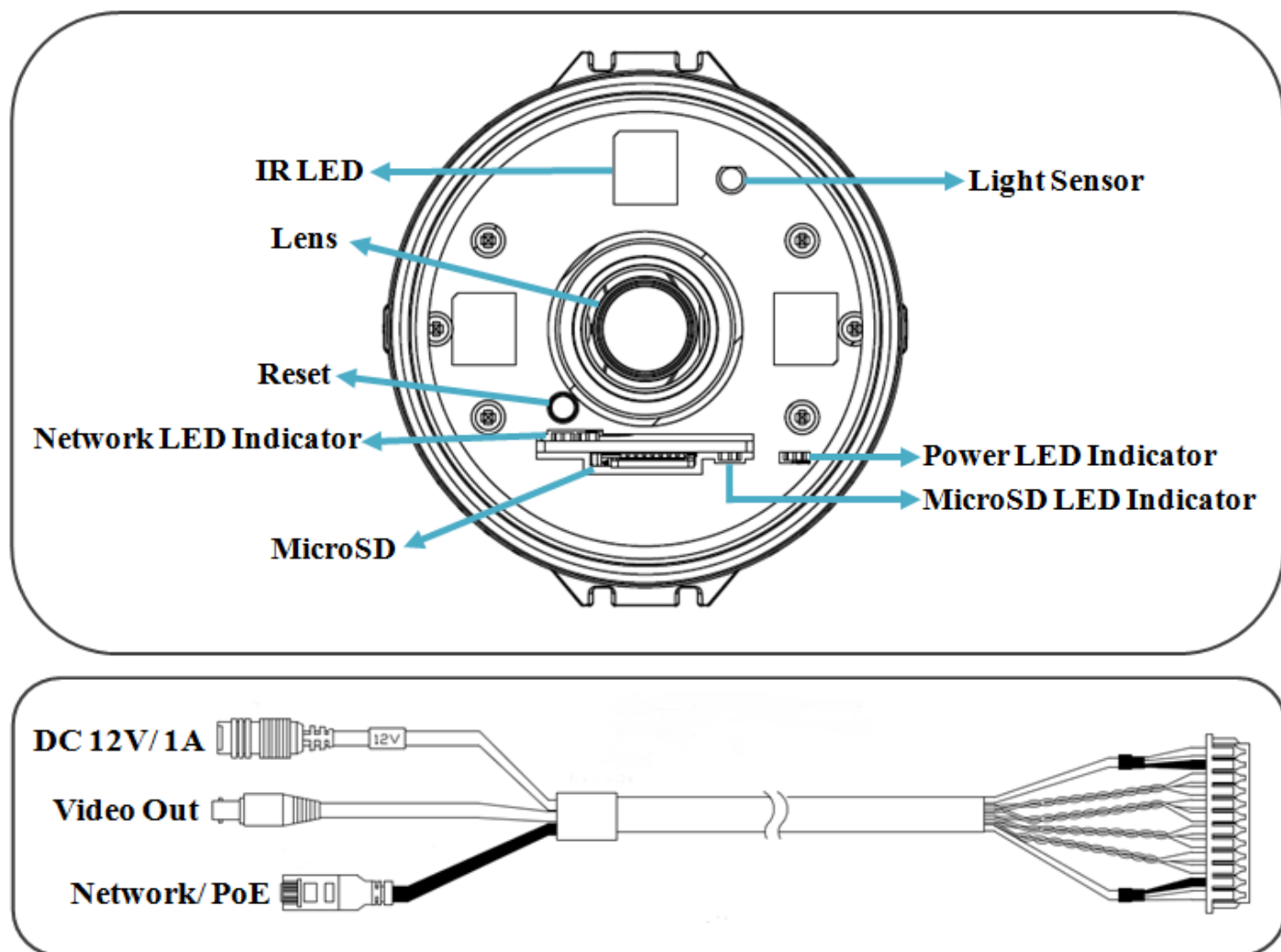
Application of IP Camera. *See P.8*

For more information, please check the User Manual available in the Software CD or you can download the latest software from <http://www.zavio.com>

Package Contents

Camera	B5010/ B5111/ B5210 IP Camera
Quick Installation Guide	Brief product information and quick installation
Software CD	IP Surveillance Software Intelligent IP Installer User Manuals Language Packs
Accessory	(1) Three-axis wall/ ceiling mounting bracket (2) Screws and anchors for wall/ ceiling mounting (3) Sun Shield (4) Screws for sun shield (5) Cat 5e Female Coupler (6) Moisture Absorber

Physical Overview



LED Indicator Definition

LED	Indication
Power	Steady red for booting up process.
	Steady blue for booting up completion.
	Flash purple for FW upgrading.
Network	Flash yellow while Network activity.
MicroSD Card	Steady yellow means MicroSD card ready.
	Flash yellow while accessing MicroSD card.

Reset: When the device is empowered, press the Reset Button to reboot the device, or hold the Reset Button for 10 seconds to the settings back to factory default.

Reset process: Press reset button until indicator Unlit→steady red (booting up process)→steady blue (booting up completion)

Reset to default process: Press until indicator steady blue→steady red (booting up process)→steady blue (booting up completion)

Install the hardware and connect all cables

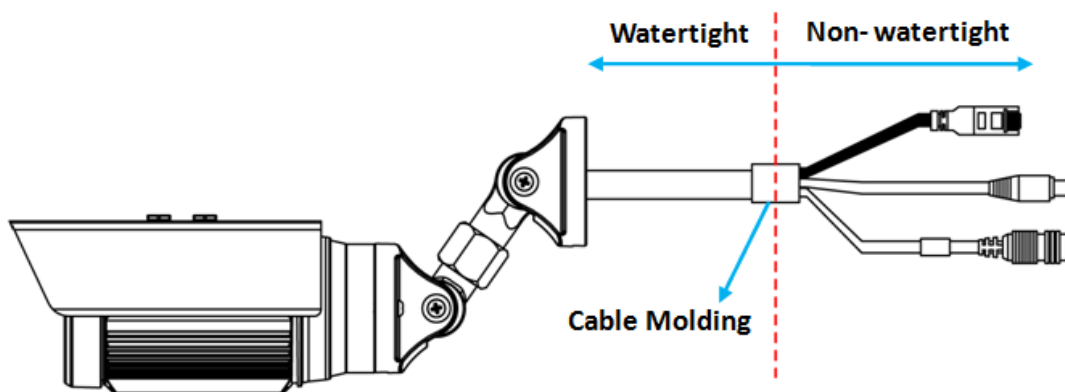
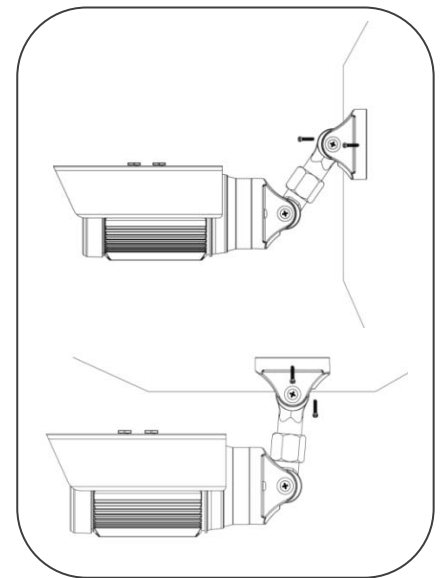
a. Wall mounting and Ceiling mounting

1. Use the 2 supplied screws to fix the base plate to a flat surface.
2. Loosen the screws on the bracket to aim the shooting area.
3. Tighten the screws at the two joints of the bracket.

Warning before installation

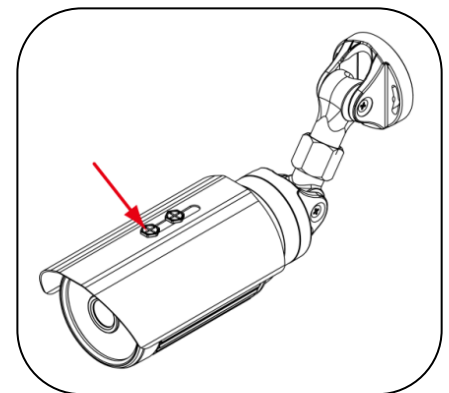
Note 1: IP Camera watertight ambit

B5010/ B5111/ B5210 use IP-67 rated weatherproof housing. The image as below shows you the ambit of watertight and non-watertight, please make sure the cable with plug on the right side of cable molding should be avoided from water.



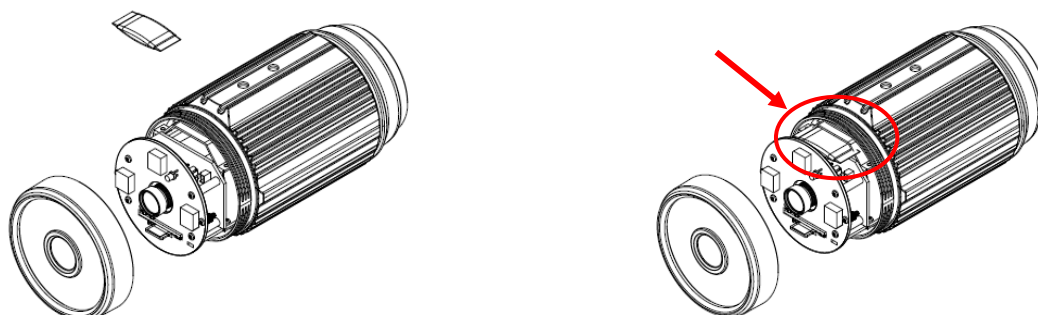
Note 2: Sun shield install notication of B5210

For model B5210, due to it's wilder view angle, the IR illumination may or may not have interference by the positions of sun shield. To ensure it's optimal image, please have the sun shield be screwed to the position indicated on the right hand side.



Note 3: How to use moisture absorber

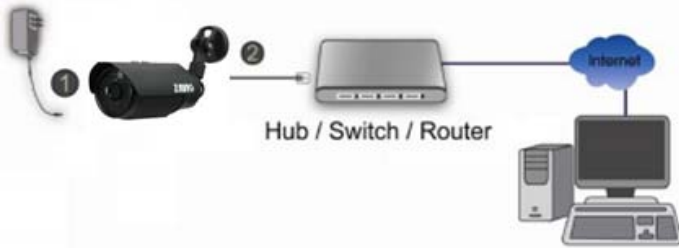
- (1) Loosen the front glass cover of the housing.
- (2) Loosen the two screws on both side of light board. Please be careful not to touch the LEDs which are much closed to the screws.
- (3) Put the moisture absorber on the top of the indicated positon.
- (4) Secure back the two screws on both side of light board and the front glass cover.
(Please change a new moisture absorber if open the top cover afterwards.)



b. Connet all cables

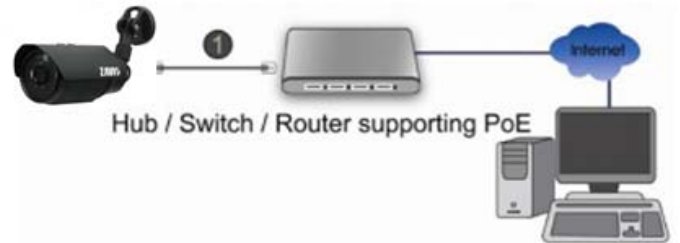
b1. Without Power over Ethernet (PoE) connection

1. Connect the 12V power adaptor to the IP Camera.
2. Using a standard RJ-45 network cable, connect the IP Camera to a normal Hub/ Switch/ Router.



b2. Power over Ethernet (PoE)

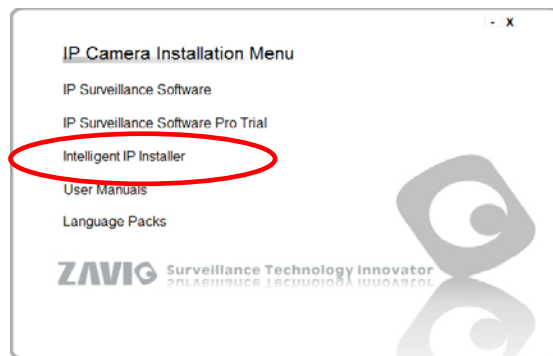
Using a standard RJ-45 network cable, connect the IP Camera to a PoE-enabled Hub/ Switch/ Router.



Microsoft OS: Use the software CD to install Intelligent IP Installer

Power on your PC and insert the CD-ROM. The setup page will show up automatically. Please follow these steps to install the firmware.

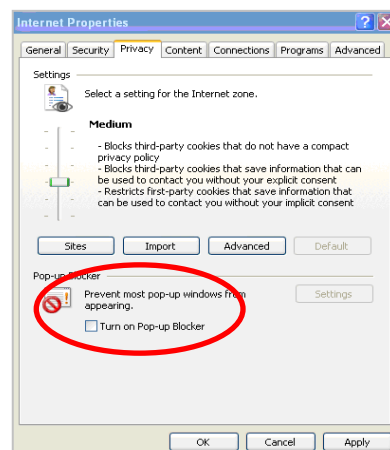
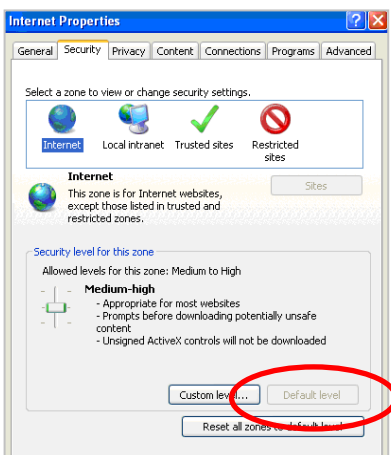
Selet **“Intelligent IP Installer”** and follow the installation process to complete the installation.



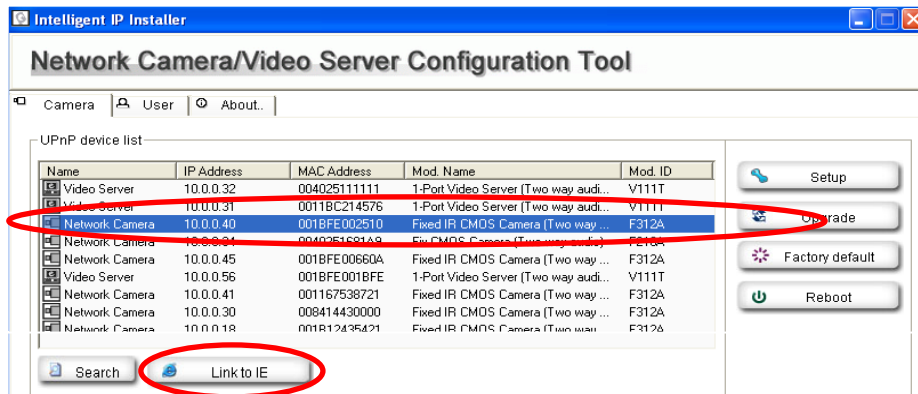
Access the IP Camera using Intelligent IP Installer

1. Please check two settings before using Intelligent IP Installer.

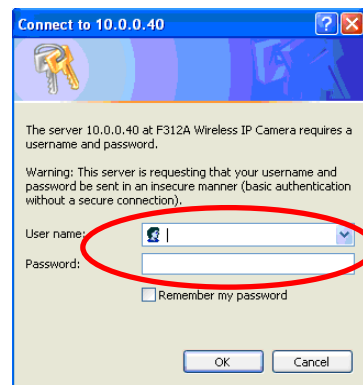
- a. Browser’s Internet Properties → Security → Default Level
- b. Browser’s Internet Properties → Privacy → Uncheck Pop-up Blocker



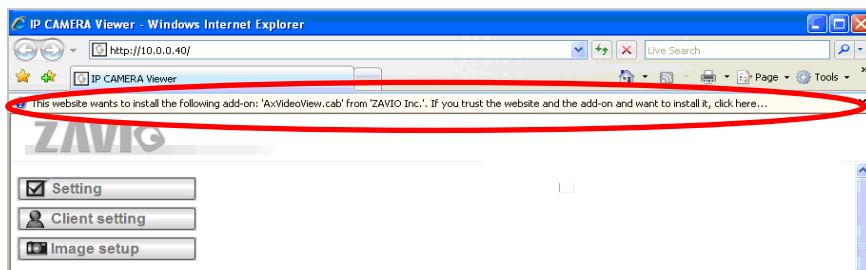
- Click the Intelligent IP Installer Icon on your desktop. The main page will show up listing all active camera and video server devices. Select the relevant IP camera from the list and click **Link to IE**.



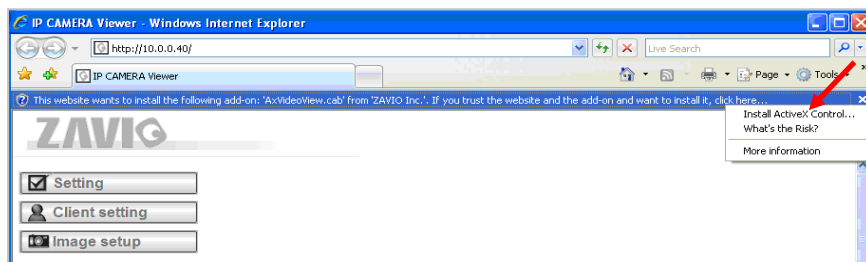
- Enter your Username and Password to login to the IP Camera.
(Default is admin / admin)



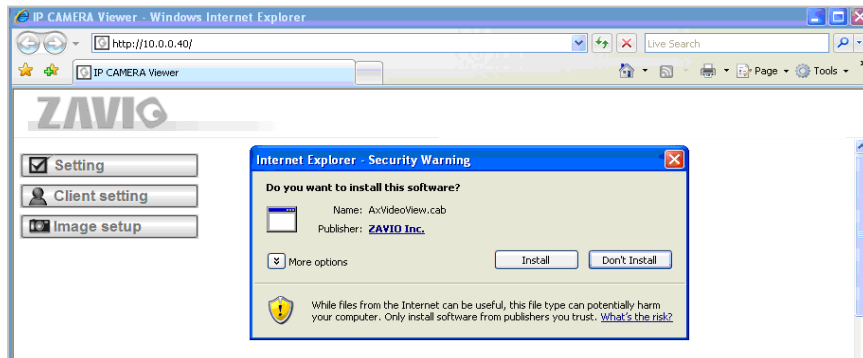
- When accessing the IP Camera for the first time, a yellow information bar appears below the address bar: **This website wants to install the following add-on: 'AxvideoView.cab' from 'Zavio Inc'**.



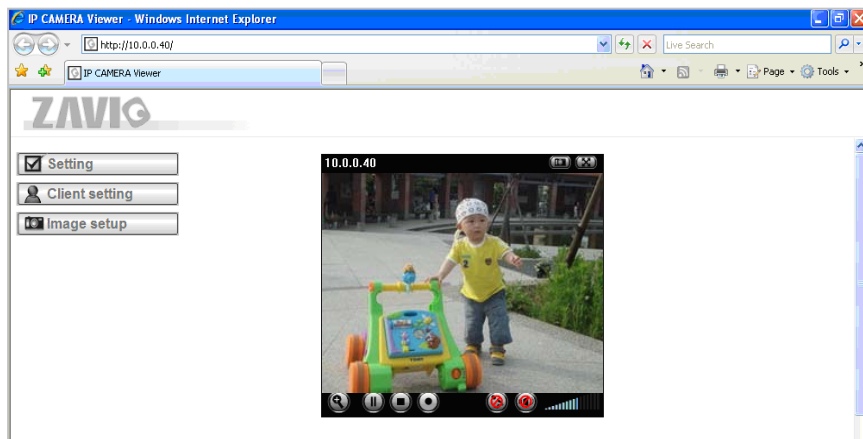
- Click the information bar, and select **Install ActiveX control**.



6. Click **Install**.

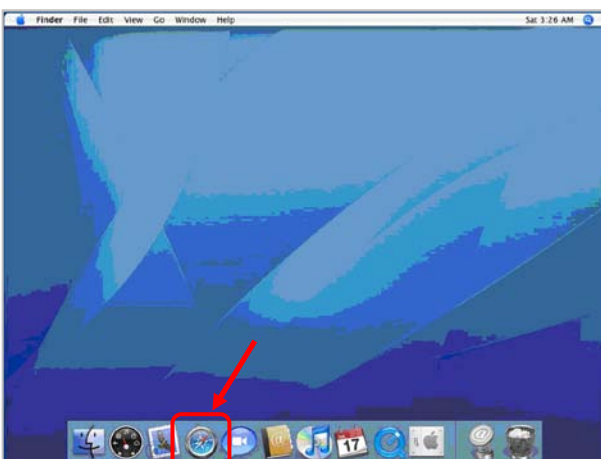


7. Live video displays in the centre of your web browser.

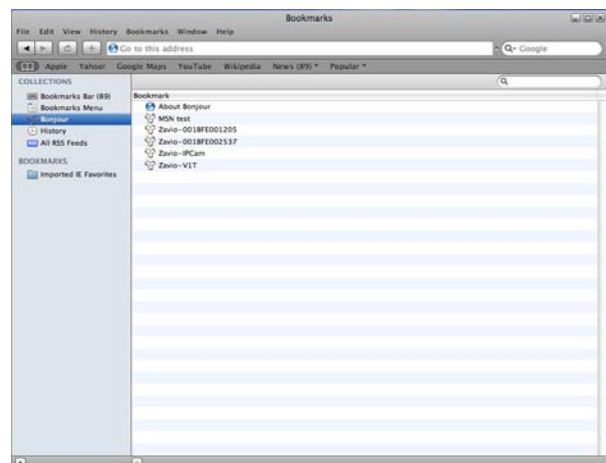


Mac OS using Safari Browser

1. Select **Safari** icon



2. Click **Bonjour** function and select the camera you wish to access.



3. Enter name and password to login to the IP camera. (Default is admin / admin)



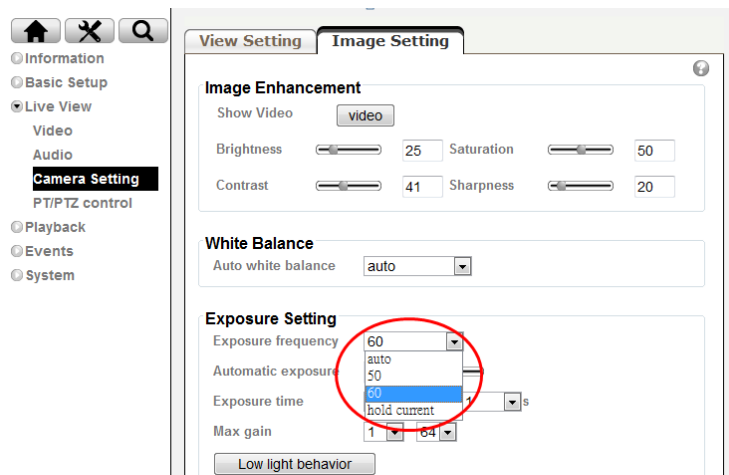
4. The monitor image will be displayed in your browser.



Lighting environment setting

The default setting of lighting environment is **Auto**. However, you may also select 50 or 60 Hz upon the lighting environment of your country.

Go to “Setting > Live View > Camera Setting > Image Setting”, select the environment setting you wish.

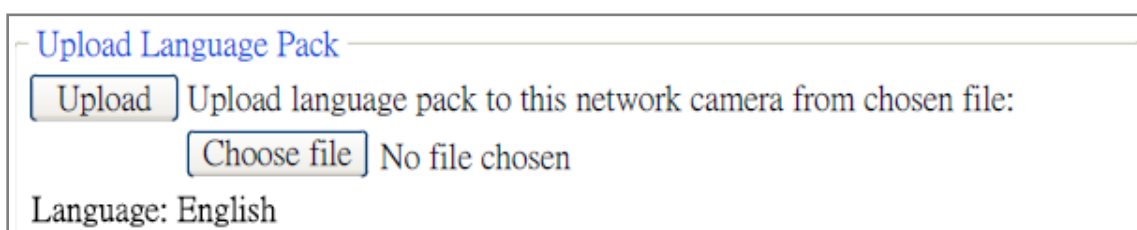


Change the Web Interface into your preferred language

Use the settings screen to set the language of the Web Interface.

Go to “Setting > System > Maintenance ”.

1. Insert Software CD into your CD-ROM.
2. Browse and select the preferred language from language pack in the Software CD and then click OK.
3. The web interface will change into your preferred language.



Application of IP Camera

