

ZAVIO D7320 3MP Day & Night Outdoor Dome



- 3 megapixel CMOS sensor
- H.264 and Motion JPEG compression
- True WDR up to 100dB
- 24 high performance IR LEDs and up to 20m distance
- MicroSD card slot
- IP66 weatherproof and IK10 vandal-proof housing



ZAVIO D7320 outdoor dome provides real WDR (Wide Dynamic Range) technology with 3 Megapixel resolutions can capture greater scene details from shadows to highlights than normal, perfect clarity even in challenging lighting conditions. Unlike software enhancement, D7320 with the real WDR technology, the sensor has a wider contrast ratio can accurately capture varying light intensities and heighten the details visible within an area.

D7320 also equipped with varifocal lens, removable IR-cut filter, IR LEDs and IP66 weatherproof and IK10 vandal-proof housing. Compatible with ZAVIO's free 64 channel NVR software, free mobile video management app.



Related models

Model Name	D7210	D7320	D7510
Feature	Outdoor dome	Outdoor dome	Outdoor dome
	Full HD 1080p	3MP + WDR	5MP
	Varifocal	Varifocal	Varifocal
	ICR + IR 20m	ICR + IR 20m	ICR + IR 20m
	3-axis	3-axis	3-axis

Features

- 3 megapixel progressive scan CMOS sensor
- 100dB true dynamic range
- H.264 and Motion JPEG compression
- 20 fps at 2048 x 1536, 30 fps at 1920 x 1080
- Day & night functionality with automatic removable IR-cut filter
- 24 high performance IR LEDs and up to 20m distance
- 3 - 10.5mm, F1.4 varifocal lens
- Screwless 3-axis design for easy camera angle adjustment
- Analog video output through RCA connector
- Built-in MicroSD/SDHC card slot
- Tampering detection
- RTC with built-in battery
- Power over Ethernet (IEEE 802.3af)
- 1 x alarm input, 1 x alarm output
- Line in and line out
- IP66 rated weatherproof and IK10 vandal-proof housing
- SSL v3 advanced HTTPS encryption
- Supports Samba network storage
- Multi-lingual user interface
- ONVIF 2.3 and Profile S compliant
- Free 64 channels ZAVIO CamGraba 2.0 NVR software

WDR (Wide Dynamic Range)

Dynamic range is the ratio of the maximum signal output of the sensor to the smallest signal output of the sensor. In other words, dynamic range is the ratio of the brightest portion (maximum output) of the image to the darkest portion (smallest output) of the image.

In a scene with extremely bright and dark areas or in backlight environment such as entryway, a typical camera would produce an image where objects in the dark areas would hardly be visible. WDR(Wide dynamic range) can solve this by applying techniques such as using different exposures for different objects in a scene to enable objects in both bright and dark areas to be visible.

WDR IP cameras are usually recommended for situations where light enters a premise from various angles such as a multi-window room.



Conventional camera without wide dynamic range



Camera with wide dynamic range applied

Application



1. Banking
2. Retail
3. Warehouse

ZAVIO IP Surveillance Solutions

• Free Plug & Play Cloud Solution

You can watch Live Video on your computer or the mobile app on your iOS/ Android device. Setup is as easy as 1-2-3, and it's completely free!

Step 1. Now, go to sat.qlync.com

Step 2. Create your account

Step 3. Add cameras to your account

Supports ZAVIO IP Camera

(except F1100/F1105/B7320/B7510/D7320/D7510)

Please go to zavio.com for a list of Cloud Solution support camera models



• NVR Partners

ZAVIO IP Cameras are supported by a wide range of 3rd party NVR software and devices.

Please go to zavio.com for a list of our partners.

• Free 64ch NVR Software

The most professional NVR software you can get for free!



• 4ch/ 8ch Standalone NVR

The easiest way to view, record and playback up to 8 Full HD cameras all in real-time.



• ONVIF

ONVIF 2.3 & Profile S compliant



Technical Specifications

Camera

Models	D7320 3MP WDR day & night outdoor dome
Image sensor	1/3" progressive scan megapixel CMOS sensorsensor
Lens	3 - 10.5mm, F1.4 DC-iris megapixel vari-focal lens
Angle of view	26° ~ 80° horizontal
Digital zoom	10x digital
Min illumination	0.03 lux at F1.4 (color) 0.001 lux at F1.4 (b/w) 0 lux at F1.4 (IR LED on)
Dynamic range	Up to 100dB
IR working distance	20m effective range Adjustable brightness via FW
IR LEDs	24 pcs (850nm)
Day/Night function	Mechanical IR cut filter Light sensor
Shutter time	1/2 ~ 1/10,000 sec.
S/N ratio	39dB

Video

Video compression	Motion JPEG H.264 baseline/ main/ high profile
Resolutions	Motion JPEG: 8 resolutions from 2048 x 1536 to 320 x 240 via API, 8 selections via configuration web page H.264: 8 resolutions from 2048 x 1536 to 320 x 240 via API, 8 selections via configuration web page
Frame rate	Motion JPEG: up to 20 fps at 2048 x 1536, up to 30 fps at 1920 x 1080 H.264: up to 20 fps at 2048 x 1536 up to 30 fps at 1920 x 1080
Video streaming	Simultaneous Motion JPEG, H.264 Controllable frame rate and bandwidth Support ISMA RTSP (Real time streaming protocol)
Image settings	Rotation: mirror, flip, mirror flip Wide Dynamic Range (100dB) Brightness, contrast, saturation, sharpness Overlay capabilities: time, date, text and privacy image

Audio

Audio streaming	Two-way (full duplex) Line in & out
------------------------	--

Network

Security	Multiple user access levels with password protection, HTTPS encryption
Supported protocols	Bonjour, TCP/ IP, DHCP, DNS, DynDNS, PPPoE, ARP, ICMP, FTP, SMTP, NTP, UPnP, RTSP, RTP, RTCP, HTTP, HTTPS, SSL, TCP, UDP, ISMA
Users	10 simultaneous users

Alarm and Event Support

Alarm input/output	Alarm input 30V DC Alarm output Max 100mA
Alarm and event management	Input: alarm buffer, alarm input, motion detection Output: network storage, FTP, SMTP, HTTP event, alarm output Pre-and post alarm buffer

System

Connectors	RJ-45 for Ethernet 10/100 Base-T (with PoE) 2 pin terminal blocks for DC power Terminal blocks for alarm input/ alarm output, line in/ line out Reset push switch RCA connector for analog video output
-------------------	--

Local storage	MicroSD/ SDHC card slot
Software integration	ONVIF 2.3 and Profile S compliant
LED Indicator	Power status indicator Network link indicator MicroSD card status indicator

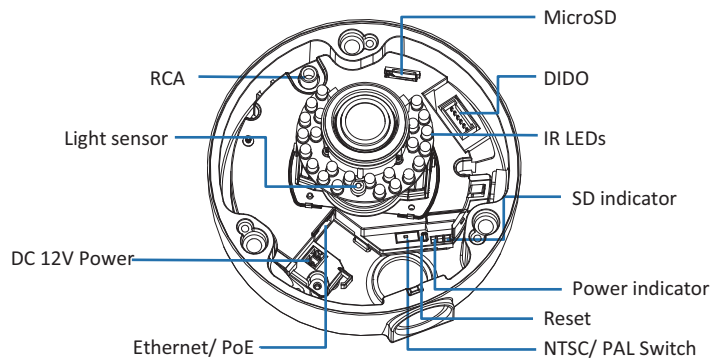
General

Casing	Aluminum casing
Housing	IP66 rated weatherproof and IK10 vandal-proof housing
Power	12V DC, 1A Power consumption: Max. 8W PoE (Power over Ethernet) Built-in IEEE 802.3af
Operating conditions	-10 °C ~ 50 °C (14 ~ 122°F)
Installation, management, and maintenance	ZAVIO camera management tool on CD and web-based configuration. Configuration of backup and restore firmware upgrades over HTTP, firmware available at www.zavio.com
Minimum web browsing requirement	Pentium 4 2.8GHz (or equivalent AMD) 256MB RAM graphic cards (or equivalent on-board graphic cards) 1G RAM Window 2008, XP, Vista or Windows 7 Mac OS Leopard 10.5 or later
Dimensions (HxWxD)	φ144 x 115 mm (5.7" x 4.5")
Weight	835.3g (1.84lb) excl. power supply
Included accessories	Quick installation guide, CD (IP surveillance software, Intelligent IP Installer, user manual, and language packs), mounting and connector kits
Certification	CE, FCC, RoHS

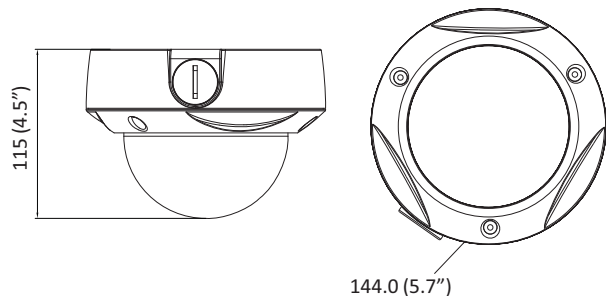
Integration

Video management software	ZAVIO CamGraba 2.0 IP System software, for viewing, recording and archiving up to 64 cameras See http://www.zavio.com/product.php?id=50 for more software application
----------------------------------	---

Part Names and Functions



Dimensions



Unit: mm (inches)

