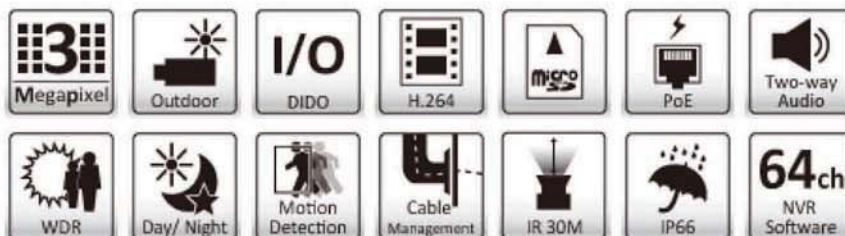


ZAVIO B7320 3MP WDR Outdoor Bullet IP Camera



- 3 megapixel CMOS sensor
- True WDR up to 100dB
- 4 high performance IR LEDs and up to 30m distance
- Built-in heater and fan
- IP66 weatherproof housing
- Varifocal



The 3 megapixel B7320 bullet IP camera is designed to withstand harsh outdoor and tough environment.

The B7320 can capture video at resolutions of up to 1920x1080 (maximum 2048 x 1536) at frame rates up to 30 fps. With true WDR (wide dynamic range) capability ensures that no part of the image is too bright or too dark, can provide clear image quality even at backlight conditions, making the B7320 ideal for high-contrast environments.

The IP 66-rated housing with -50°C to 60°C temperature protection, it makes the camera invulnerable to harsh rainstorms and scorching heat. B7320 also outfitted with IR LED illuminators and gives a viewing range of 30m to achieve excellent day & night functionality.

Besides, the included ZAVIO CamGraba2.0 is the most professional NVR software for free bundled can support up to 64 IP cameras.

Related models

| Model Name | B7210 | B7320 | B7510 |
|------------|-----------------------|-----------------------|-----------------------|
| Feature | Outdoor IP66 | Outdoor IP66 | Outdoor IP66 |
| | Full HD 1080p | 3MP + WDR | 5MP |
| | Varifocal | Varifocal | Varifocal |
| | ICR + IR 30m | ICR + IR 30m | ICR + IR 30m |
| | Built-in fan & heater | Built-in fan & heater | Built-in fan & heater |

Features

- 3 megapixel progressive scan CMOS sensor
- 100dB true dynamic range
- H.264 and Motion JPEG compression
- 20 fps at 2048 x 1536, 30 fps at 1920 x 1080
- Day & night functionality with automatic removable IR-cut filter
- 4 high performance IR LEDs and up to 30m distance
- 3 - 9mm, F1.3 varifocal, auto-iris lens
- Analog video output through RCA connector
- Built-in MicroSD/ SDHC card slot
- Tampering detection
- RTC with built-in battery
- Built-in heater and fan, enabling camera in severe environment (-50 ~ 60°C)
- Power over Ethernet (IEEE 802.3af/at)
- 2 x alarm input, 2 x alarm output
- IP66 rated weatherproof housing
- SSL v3 advanced HTTPS encryption
- Supports Samba network storage
- Multi-lingual user interface
- ONVIF 2.3 and Profile S compliant
- Free 64 channels ZAVIO CamGraba 2.0 NVR software

WDR (Wide Dynamic Range)

Dynamic range is the ratio of the maximum signal output of the sensor to the smallest signal output of the sensor. In other words, dynamic range is the ratio of the brightest portion (maximum output) of the image to the darkest portion (smallest output) of the image.

In a scene with extremely bright and dark areas or in backlight environment such as entryway, a typical camera would produce an image where objects in the dark areas would hardly be visible. WDR(Wide dynamic range) can solve this by applying techniques such as using different exposures for different objects in a scene to enable objects in both bright and dark areas to be visible. WDR IP cameras are usually recommended for situations where light enters a premise from various angles such as a multi-window room.



Conventional camera without wide dynamic range



Camera with wide dynamic range applied

Application



1. Banking
2. High Latitude
3. Traffic

ZAVIO IP Surveillance Solutions

• Free Plug & Play Cloud Solution

You can watch Live Video on your computer or the mobile app on your iOS/ Android device. Setup is as easy as 1-2-3, and it's completely free!

Step 1. Now, go to sat.qlync.com

Step 2. Create your account

Step 3. Add cameras to your account

Supports ZAVIO IP Camera

(except F1100/F1105/B7320/B7510/D7320/D7510)

Please go to zavio.com for a list of Cloud Solution support camera models



• NVR Partners

ZAVIO IP Cameras are supported by a wide range of 3rd party NVR software and devices.

Please go to zavio.com for a list of our partners.

• Free 64ch NVR Software

The most professional NVR software you can get for free!



• 4ch/ 8ch Standalone NVR

The easiest way to view, record and playback up to 8 Full HD cameras all in real-time.



• ONVIF

ONVIF 2.3 & Profile S compliant



Technical Specifications

| Camera | |
|----------------------------|---|
| Models | B7320 3 megapixel WDR day/night outdoor bullet |
| Image sensor | 1/3" WDR CMOS sensor |
| Lens | F1.3, 3 ~ 9mm, vari-focal, auto-iris |
| Angle of view | 30° ~ 87° horizontal; 22° ~ 64° vertical |
| Digital zoom | 10x digital |
| Min illumination | 0.05 lux @ F1.3 (color) 0.001 lux @ F1.3 (B/W) 0 lux @ F1.3 (IR LED on) |
| IR working distance | 30m effective range |
| IR LEDs | High performance IR LED x 4 (850nm) |
| Day/Night function | Mechanical IR cut filter |
| Shutter time | 1/2 ~ 1/10,000 sec. |
| Dynamic Range | Up to 100dB |

| Video | |
|--------------------------|---|
| Video compression | Motion JPEG H.264 baseline/ main/ high profile |
| Resolutions | Motion JPEG: 8 resolutions from 2048 x 1536 to 320 x 240 via API, 8 selections via configuration web page H.264 8 resolutions from 2048 x 1536 to 320 x 240 via API, 8 selections via configuration web page |
| Frame rate | Motion JPEG: up to 20 fps at 2048 x 1536 30 fps at 1920 x 1080 H.264: up to 20 fps at 2048 x 1536 30 fps at 1920 x 1080 |
| Video streaming | Simultaneous Motion JPEG, H.264 (multiple streaming) Controllable frame rate and bandwidth |
| Image settings | Rotation: mirror, flip, mirror flip Wide Dynamic Range (100dB) Brightness, contrast, saturation, sharpness Overlay capabilities: time, date, text and privacy Image |

| Audio | |
|--------------------------|--|
| Audio streaming | Two-way (full duplex) Line in & out |
| Audio compression | G.711 μ law, a law |

| Network | |
|----------------------------|--|
| Security | Multiple user access levels with password protection, HTTPS encryption |
| Supported protocols | Bonjour, TCP/ IP, DHCP, DNS, DynDNS, PPPoE, ARP, ICMP, FTP, SMTP, NTP, UPnP, RTSP, RTP, RTCP, HTTP, HTTPS, SSL, TCP, UDP, ISMA |
| Users | 10 simultaneous users Unlimited number of users using multicast |

| Alarm and Event Support | |
|-----------------------------------|---|
| Alarm and event management | Input: alarm buffer, motion detection, tampering detection Output: network storage, FTP, SMTP, pre-and post alarm buffer |

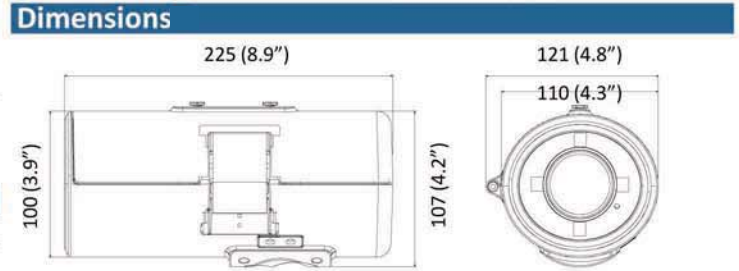
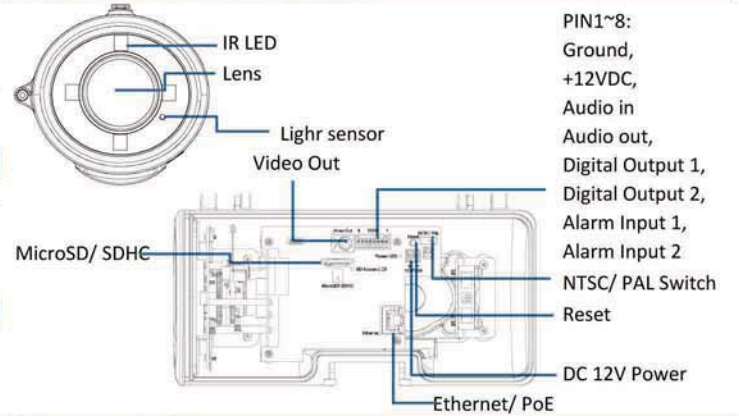
| System | |
|----------------------|--|
| Connectors | RJ-45 for Ethernet 10/ 100 Base-T (with PoE) 2 pin terminal blocks for DC power Terminal blocks for 2 alarm input, 2 alarm output , Audio line input, Audio line output Reset push switch RCA connector for analog video output |
| LED Indicator | Power status indicator Network link indicator MicroSD/SDHC card status indicator |

| General | |
|----------------|-------------------------|
| Casing | Aluminum casing |
| Housing | Weatherproof IP66-rated |

| | |
|--|---|
| AC power requirement & consumption | PoE power requirement 12V DC, 1.5A; power consumption: max. 16.2W Note: while IR on, heater or fan would be activated automatically |
| PoE power requirement & consumption | Power requirement: Power over Ethernet IEEE 802.3af Note: while IR on, heater and fan will be disabled Power consumption: max. 11.1W Power over Ethernet IEEE 802.3at Note: while IR on, heater or fan would be activated automatically Power consumption: max. 16.2W |
| Heater & fan | Built-in and auto activation Note: Heater will be activated while the B7320 inner temperature drops under 5°C and fan over 50 °C |
| Operating conditions | -50 °C ~ 60 °C (-58 ~ 140°F) |
| Installation, management, and maintenance | ZAVIO camera management tool on CD and web-based configuration. Configuration of backup and restore firmware upgrades over HTTP, firmware available at www.zavio.com |
| Minimum web browsing requirement | Pentium 4 2.8GHz (or equivalent AMD) 256MB RAM graphic cards (or equivalent on-board graphic cards) 1G RAM Windows XP, Vista or Windows 7 Mac OS Leopard 10.5 or later |
| Dimensions (HxWxD) | 360 x 125 x 250mm (14.2" x 4.9" x 9.8") |
| Weight | 1830.8g (4.05lb) excl. power supply |
| Included accessories | Quick installation guide, CD (IP surveillance software, IP installer, user manual, and language packs), mounting and connector kits Note: AC power supply not included |
| Certification | CE, FCC, RoHS |

| Integration | |
|----------------------------------|---|
| Video management software | ZAVIO CamGraba 2.0 IP System software, for viewing, recording and archiving up to 64 cameras See http://www.zavio.com/product.php?id=50 for more software application |

Part Names and Functions



Unit: mm (inches)



ZAVIO Inc. | 2F., No.13, Yanfa 2nd Rd., East Dist., Hsinchu City 300, Taiwan
www.zavio.com | TEL: 886-3-579-0275 | FAX: 886-3-668-6845 | E-Mail: sales@zavio.com